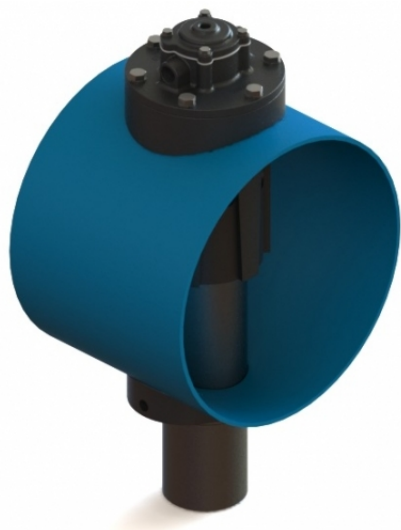


3" VALVES



INTEGRATE PISTON VALVE FOR Ø 12" TANK With Pilot Group

High performance valve able to clean bags more than 10m long at low pressures



PRODUCT CERTIFICATIONS

STANDARD



OPZIONALI



VALVE TECHNICAL FEATURES

Features	Values
Out	Pipe 3"
Working Pressure	1,5-8 bar
Standard Temperature Range	-40 °C ; +100 °C
High Range Temperature	-20 °C ; +200 °C
Weight	10 kg
Protection Level	IP65

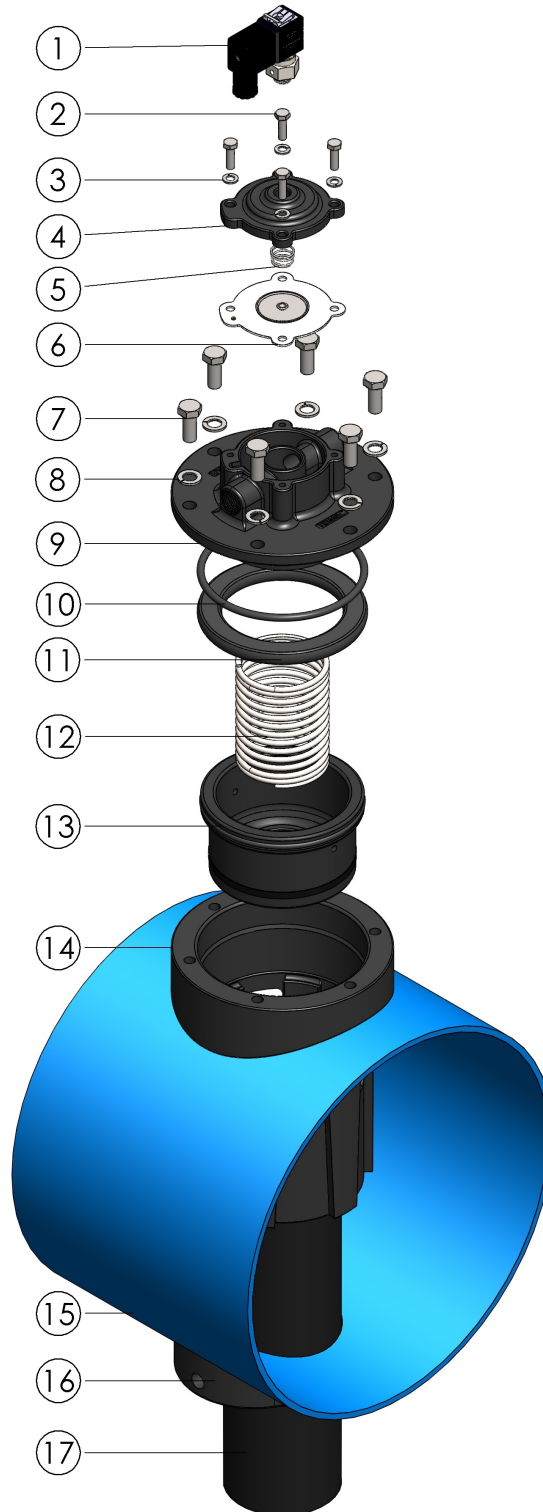
VALVE TECHNICAL FEATURES

Features		Values
Air quality classes (ISO 8573-1)	For Solid	2
	For Water with $T > +3^{\circ}\text{C}$	4
	For Water with $-20^{\circ}\text{C} < T < +3^{\circ}\text{C}$	3
	For Water with $-40^{\circ}\text{C} < T < -20^{\circ}\text{C}$	2
	For Oil	1

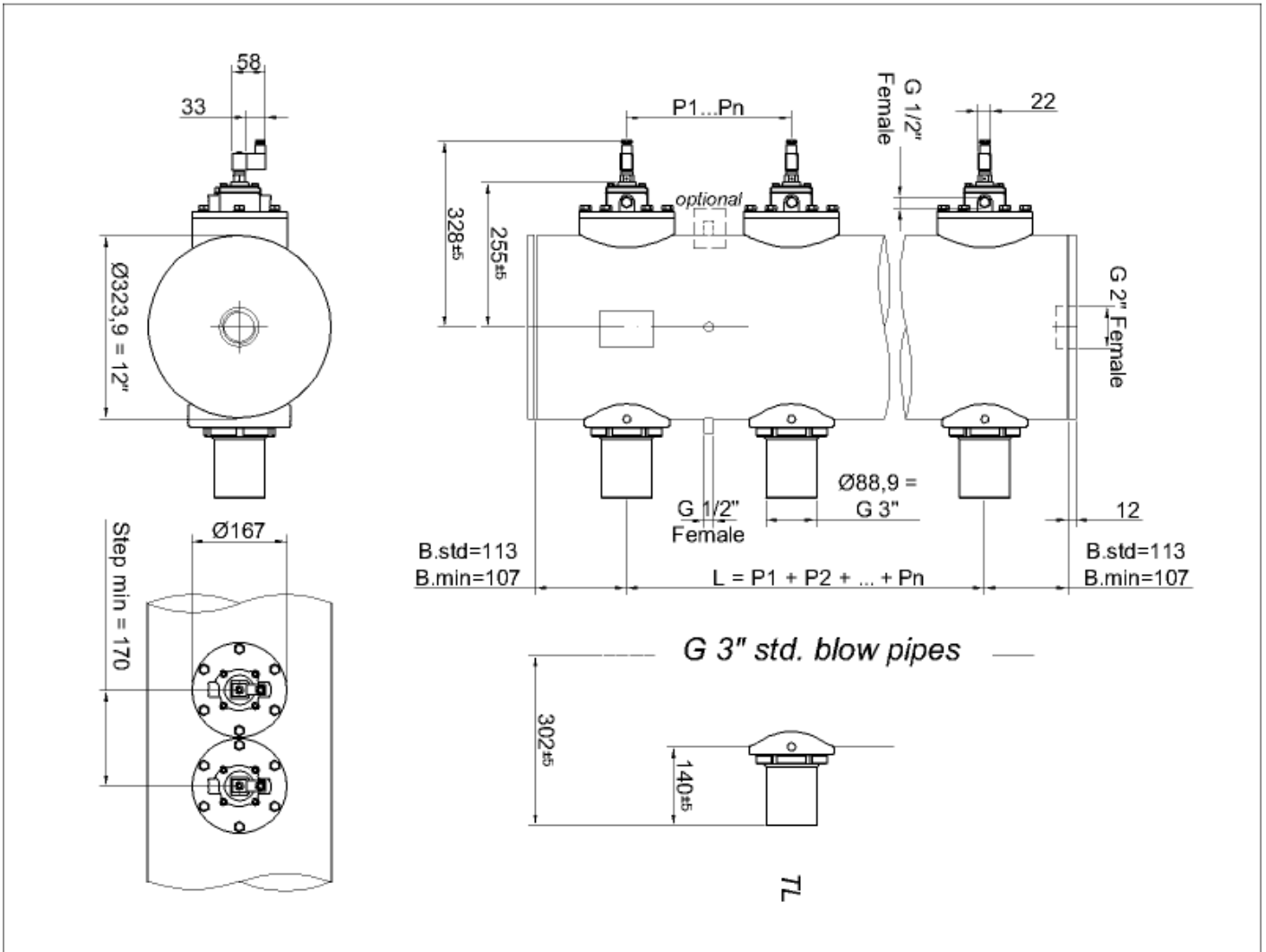
PARTS LIST

No.	Description	Material
D	Pilot Group with Coil	
1	Screw M6	SS
2	Washer Grover M	SS
3	Cover 1"	Die Cast Alu
4b	Spring 1"	SS
5	TPU VITON (Higt T)	Small Diaphragm
6	Screw M10	SS
7	Washer Grover M10	SS
9	SPV Cover	Die Cast Alu
10	O-Ring	NBR
11	End Stroke	NBR
12	SPV Spring	SS
13	Piston	Die Cast Alu
14	Body Valve 3"	Die Cast Alu
15	Tank 12"	CS/SS
16	Saddle	Die Cast Alu
17	Blow Pipe 3"	CS/SS

Immagine



DIMENSIONAL LAYOUT



CONSUMPTION GRAPHS

